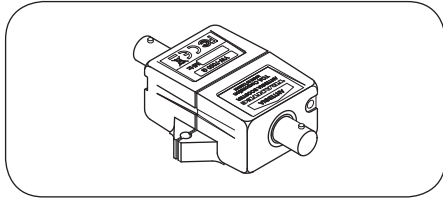


TRANTEC ANTENNA BOOSTER

YW-7000

INSTRUCTION MANUAL



1. SAFETY PRECAUTIONS

- Before installation or use, be sure to carefully read all the instructions in this section for correct and safe operation.
- Be sure to follow all the precautionary instructions in this section, which contain important warnings and/or cautions regarding safety.
- After reading, keep this manual handy for future reference.



WARNING

Indicates a potentially hazardous situation which, if mishandled, could result in death or serious personal injury.

- Do not expose the unit to rain or an environment where it may be splashed by water or other liquids, as doing so may result in fire or electric shock.
- Since the unit is designed for indoor use, do not install it outdoors. If installed outdoors, the aging of parts causes the unit to fall off, resulting in personal injury. Also, when it gets wet with rain, there is a danger of electric shock.
- Use nuts and bolts that are appropriate for the ceiling's or wall's structure and composition. Failure to do so may cause the unit to fall, resulting in material damage and possible personal injury.
- Never open nor remove the unit case to prevent a fire or electric shock that may occur when power is accidentally short-circuited. Refer all servicing to qualified service personnel.
- Do not touch this unit and antenna cable during thunder and lightning, as this may result in electric shock.



CAUTION

Indicates a potentially hazardous situation which, if mishandled, could result in moderate or minor personal injury, and/or property damage.

- Never plug in nor remove the antenna cable with wet hands, as doing so may cause electric shock.

- Leave the installation of the antenna to your TOA dealer because the installation requires expert knowledge. Improper installation may cause the antenna to fall, resulting in personal injury or electric shock.
- When connecting the antenna cable, turn off the tuner's or antenna distributor's power. Doing otherwise may cause electric shock.
- Do not forcibly pull on the antenna cable, as doing so may cause the connected device to fall, resulting in personal injury.
- Be sure to disconnect the antenna cable when moving the antenna. Otherwise, people may trip over the antenna cable and the connected device may fall, resulting in personal injury.
- Do not damage the antenna cable. If damaged, this may result in fire or electric shock. When inserting or removing the antenna cable, be sure to grasp its connector.
- Never place the unit near heaters nor heat it. Install the antenna cable at a location where it is not carelessly damaged. If damaged, replace it with a new one.

FCC Compliance

This device complies with Part 15 of the FCC Rules. Operation is subject to the following two conditions:

- (1) this device may not cause harmful interference, and
- (2) this device must accept any interference received, including interference that may cause undesired operation.

Any modifications made to this device that are not approved by TOA Corporation may void the authority granted the user by the FCC to operate this equipment.

Note: This equipment has been tested and found to comply with the limits for a Class B digital device, pursuant to Part 15 of the FCC Rules. These limits are designed to provide reasonable protection against harmful interference in a residential installation. This equipment generates, uses and can radiate radio frequency energy and, if not installed and used in accordance with the instructions, may cause harmful interference with radio communications. However, there is no guarantee that interference will not occur in a particular installation. If this equipment does cause harmful interference to radio or television reception, which can be determined by turning the equipment off and on, the user is encouraged to try to correct the interference by one or more of the following measures:

- Reorient or relocate the receiving antenna.
- Increase the separation between the equipment and the receiver.
- Connect the equipment into an outlet on a circuit different from that to which the receiver is connected.
- Consult the dealer or an experienced radio/television technician for help.

2. GENERAL DESCRIPTION

The YW-7000 is an antenna booster designed for use to compensate for high frequency loss (cable loss) that occurs when the antenna cable is extended.

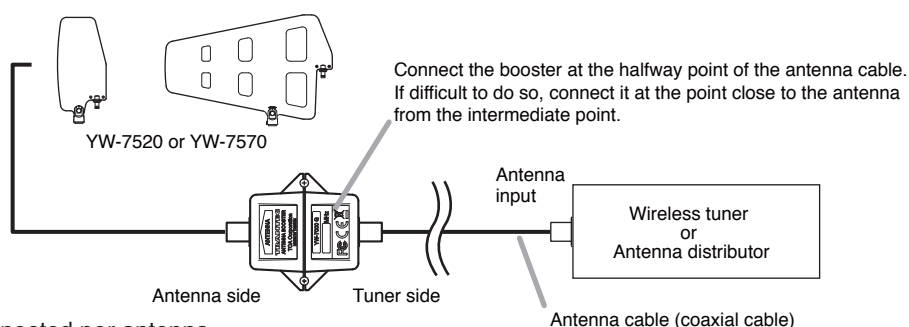
It is used in combination with the optional YW-7520 or YW-7570 Wireless Antenna.

Since power is supplied from the antenna input terminal of the wireless tuner, the YW-7000 operates by simply connecting the antenna cable to it.

3. HANDLING PRECAUTIONS

- The unit cannot be used with a direct mount L-type antenna.
- Do not install the unit at following locations. Doing so may cause damage to the unit.
 - Locations directly exposed to rain such as outdoors or under the eaves.
 - Locations with high humid or dust.
 - Locations exposed to the direct sunlight or near heaters.
 - Locations generating sooty smoke or steam.
- Do not use countersunk head screw to mount the unit, as the screw widens the mounting hole, causing damage to the unit.

4. CONNECTION



Notes

- Only 1 unit can be connected per antenna.
- If the unit is connected in reverse (antenna side and tuner side), it will not operate.

5. TYPE OF COAXIAL CABLE VS. ALLOWABLE LENGTH

For the maximum cable distance, refer to the table at right.

Cable Type	External Diameter	Max. length when using the antenna alone	Max. length when the YW-7000 is used
RG-6/U	8.4 mm (0.33")	10 m (10.94 yd)	35 m (38.28 yd)
RG-11/U	10.3 mm (0.41")		50 m (54.68 yd)

6. SPECIFICATIONS

Power Source	7 – 12 V DC
Current Consumption	35 mA
Type	DC pass type booster amplifier
Frequency Range	606 – 638 MHz (G band), 722 – 752 MHz (B band)
Gain	Approx. 10 dB
Noise Factor	Under 3 dB

Maximum Input	Under 100 dBμV
Input/Output Connector	BNC jacks
Input/Output Impedance	50 Ω
Operating Temperature	-10 to +50 °C (14 to 122°F)
Weight	50 g (0.11 lb)
Dimensions	57 (w) x 76 (h) x 26 (d) mm (2.24" x 2.99" x 1.02")

Note: The design and specifications are subject to change without notice for improvement.

• Accessory

BNC cable 50 cm (1.64 ft) 1

Traceability Information for Europe (EMC directive 2004/108/EC)	
Manufacturer: TOA Corporation 7-2-1, Minatojima-Nakamachi, Chuo-ku, Kobe, Hyogo, Japan	Authorized representative: TOA Electronics Europe GmbH Suederstrasse 282, 20537 Hamburg, Germany



TOA Corporation

URL: <http://www.toa.jp/>